

TOPA Attachment

QUICK COUPLER



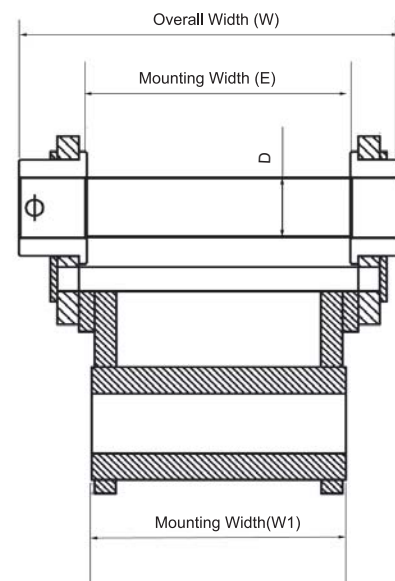
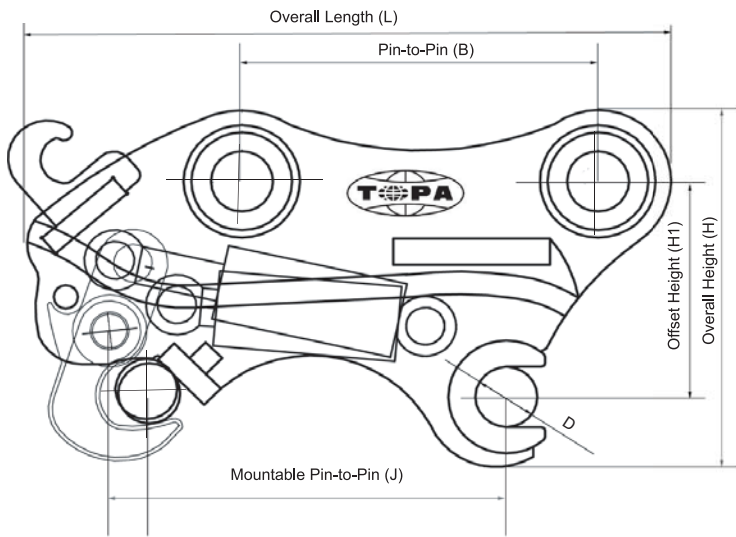
TOPA

KOREAN MANUFACTURER
in HYDRAULIC DEMOLITION ATTACHMENTS
since 1993

QUICK COUPLER



- 3 STEP SAFETY
- CONVENIENCE
- QUALITY
- TL-100 NO WELDING PRODUCT, LONG DURABILITY
- COMPATIBILITY WITH WIDE PIN MOUNT RANGE
- OPTIMIZATION
- LIGHT WEIGHT, LOW PROFILE, FAST OPERATING



Specification	Unit	TL-30			TL-60			TL-80			TL-100		
		Doosan	Volvo	Hyundai	Doosan	Volvo	Hyundai	Doosan	Volvo	Hyundai	Doosan	Volvo	Hyundai
Overall Length(L)	mm	479~490	490~495	459~479	679~688	683~688	688	816	771~826	826	973		
Overall Height(H)	mm	295~306			334~382			452~465			516		
Overall Width(W)	mm	280			396~420	420~495	420	483	480~515	507	530	545	535
Pin to Pin(B)	mm	260~270	270~285	250~260	380~385		385	460	425~470	470	500 - 510		
Mountable Pin to Pin(J)	mm	230~302			380~470			425~570			510~540		
Pin Diameter(D)	mm	Ø45			Ø65			Ø80	Ø70~Ø80	Ø70	Ø90		
Mounting Width(E)	mm	157	167	167~172	232~262	277~317	262	305~310	307~342	334	397	412	402
Offset Height(H1)	mm	204~215			222~255			290~312			324		
Mounting Width(W1)	mm	152	162	162~167	227~257	162	162~167	300~307	302~337	329	393	408	398
Weight	kg	50			150~180			240~280			410		
Operating Pressure	kg/cm ²	40 ~ 280			40 ~ 280			40 ~ 280			40 ~ 280		
Oil Flow	ℓ/min	10~20			10~20			10~20			10~20		
Carrier Weight	ton	3 ~ 6			7 ~ 13			17 ~ 22			25 ~ 33		

※PUSH type : TL-30, TL-60 / PULL type : TL-80, TL-100

※The specification mentioned is able to change without prior notice to improve its quality and performance.